

Nordic S7 SW

ART.NO. 800140, 800141



Flexit Nordic S7 SW features patented rotating heat exchanger technology and the Stage Wheel, providing the most energy-efficient ventilation unit on the market with up to 90% thermal efficiency. Low energy consumption and local demand control earn it an A+ eco-design label. Designed for residences and small commercial buildings in Nordic climates, it operates up to 700 m³/h and is ideal for residences up to 450 m².

This cabinet unit is suitable for wall and floor mounting and includes adjustable vibration-dampening feet. It can be installed in both cold and warm rooms. Controlled via the Flexit GO app, it supports various accessories, such as a control panel, humidity sensor, and CO₂ sensor. Cooling recovery is standard.

Product description

- The most energy-efficient rotating heat exchanger on the market
- Eco-design label A+ with local demand control
- Vibration-dampening feet
- Built-in humidity sensor
- Very low noise level to the duct and surroundings
- Control via app and cloud services

Automatic control

The Flexit GO app



Google Play



App Store



A NordicPanel control panel can be ordered as an accessory.

	GTIN	Modell
800140	7023678001400	Nordic S7 SW RER right-hand model
800141	7023678001417	Nordic S7 SW REL left-hand model

Technical data

		S7 SW RE
		with electrical heating coil
POWER	Rated voltage (AC 50 Hz)	230 V
	Frequency	50 Hz
	Fuse size	10 A
	Rated current	7 A
	Rated power, total	1 850 W
	Rated power, max. electrical heating coil	1 500 W
	Rated power, fans	2 x 170 W
	Rated power, rotating heat exchanger motor	4 W
	IP class	21

VENTILASJON	Fan type	B-wheel
	Fan motor control	0-10 V
	Max. fan speed RPM	4 350
	Automatic control, standard	Flexit GO
	Filter class, supply air	ePM1 55 % (F7)
	Filter class, extract air	ePM1 55 % (F7)
	Filter type (supply air/extract air)	Compact filter

DIMENSIONS	Filter dimensions (WxHxD)	300 x 269 x 96 mm
	Weight, ventilation unit	82,5 kg
	Weight, rotating heat exchanger	15,9 kg
	Weight, door	11 kg
	Weight, fan	2 kg
	Kitchen fan connection	Ø 125 mm
	Duct connection	Ø 200 mm
	Height	857 mm
	Width	1 000 mm
Depth	600 mm	

COATING	Colour	White
	RAL	9016
	Gloss	25-35

Energy class:



CTRL 0.65

LOCAL DEMAND CONTROL

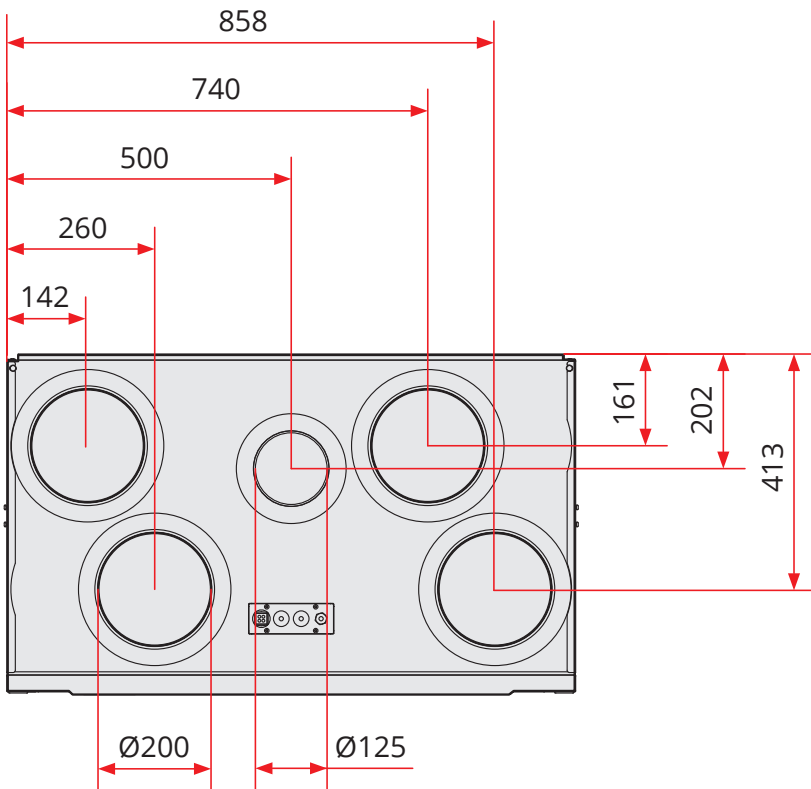
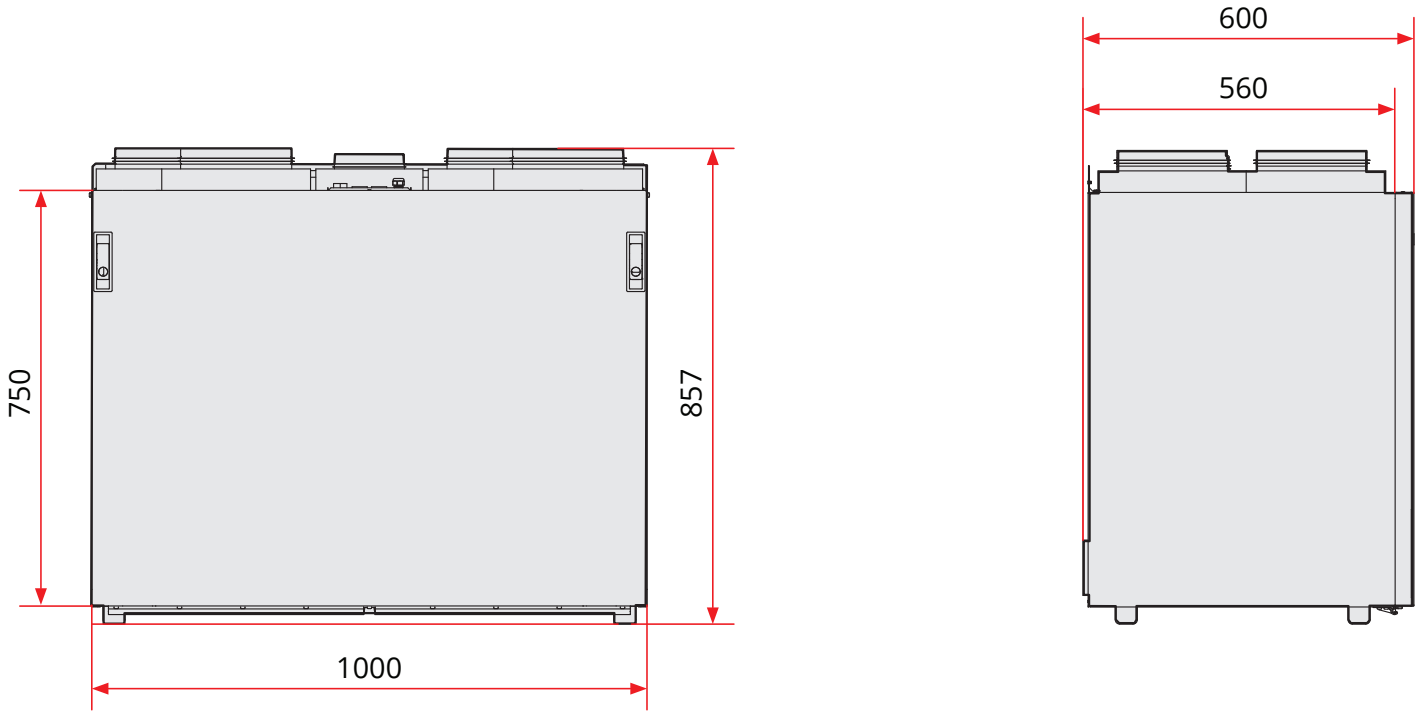
Sensor control for different zones

Accessories: App + CO₂ sensor/
motion sensor + damper

Result: Increased air flow rate in
zones that need it

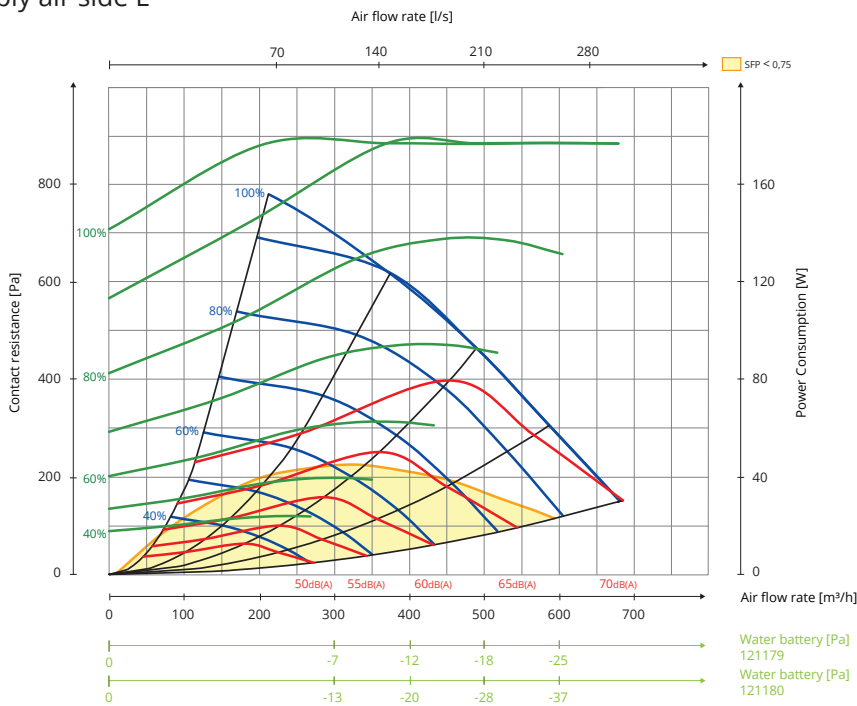
Dimensioned drawings

Dimensions in millimeters.

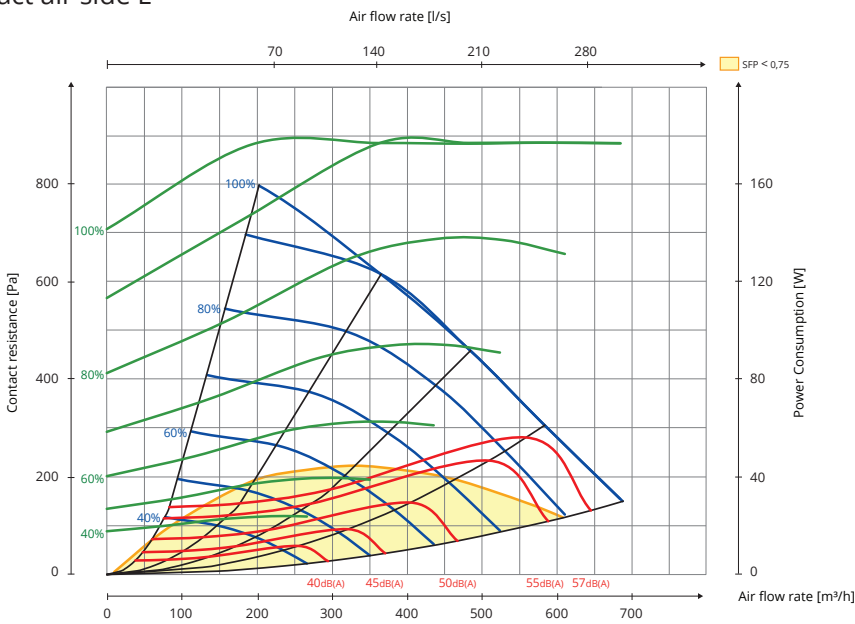


Capacity diagram

Supply air side L



Extract air side L



Hz	63 Lw(dB)	125 Lw(dB)	250 Lw(dB)	500 Lw(dB)	1000 Lw(dB)	2000 Lw(dB)	4000 Lw(dB)	8000 Lw(dB)	LwA (dBA)
Supply air	5	1	1	-3	-10	-10	-18	-25	
Extract air	14	8	4	-8	-12	-17	-27	-32	
Radiated	-8	-13	-22	-29	-37	-39	-41	-41	-24

Explanation of diagram:

Sound data is specified as sound power level LwA in the capacity diagrams. (This is sound to duct.)

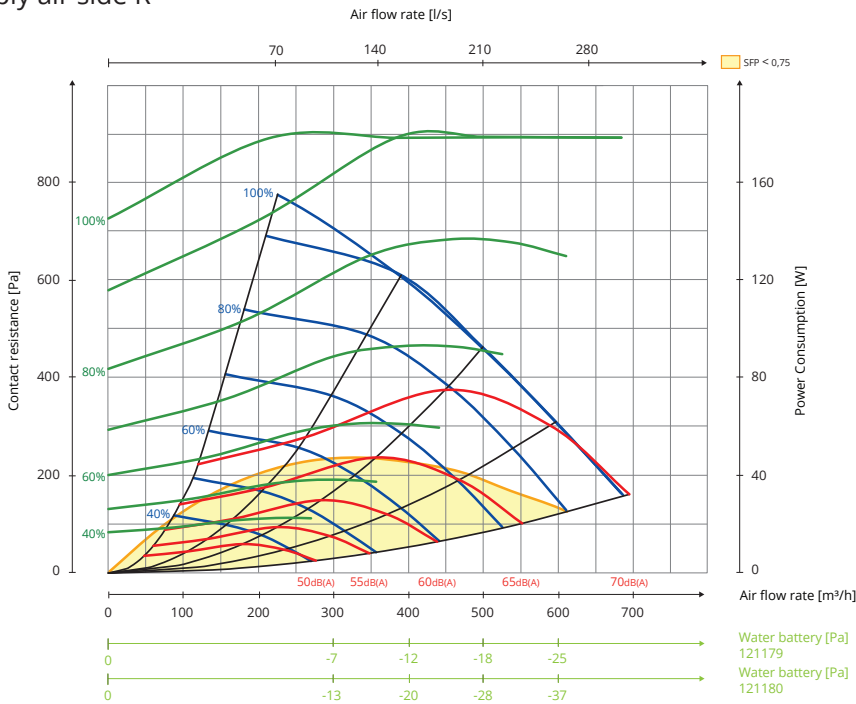
These values can be corrected by means of the table for the different octave bands in order to look at Lw (without adaptation to A band).

The correction table for the various octaves is stated in Lw, which means that the Lw values are after conversion of each octave for supply air and extract air.

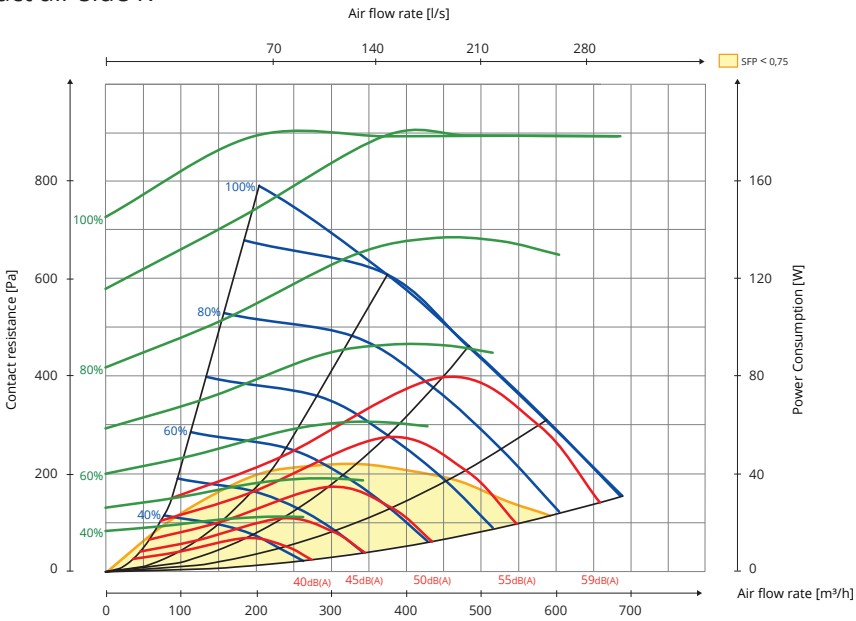
Radiated sound from the unit must be calculated from the supply air diagram.

Capacity diagram

Supply air side R



Extract air side R



Hz	63 Lw(dB)	125 Lw(dB)	250 Lw(dB)	500 Lw(dB)	1000 Lw(dB)	2000 Lw(dB)	4000 Lw(dB)	8000 Lw(dB)	LwA (dBA)
Supply air	2	1	0	-2	-9	-10	-18	-24	
Extract air	9	8	5	-7	-11	-16	-25	-29	
Radiated	-9	-13	-19	-27	-29	-30	-35	-38	-21

Explanation of diagram:

Sound data is specified as sound power level LwA in the capacity diagrams. (This is sound to duct.)

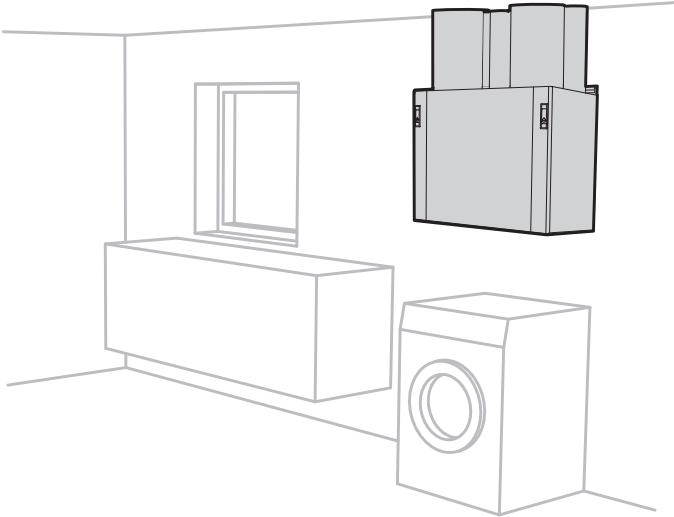
These values can be corrected by means of the table for the different octave bands in order to look at Lw (without adaptation to A band).

The correction table for the various octaves is stated in Lw, which means that the Lw values are after conversion of each octave for supply air and extract air.

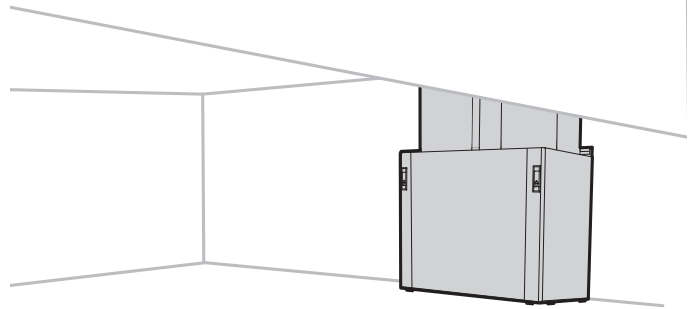
Radiated sound from the unit must be calculated from the supply air diagram.

Position

Nordic S units can be installed vertically on the floor/wall, and can be in hot and cold zones:

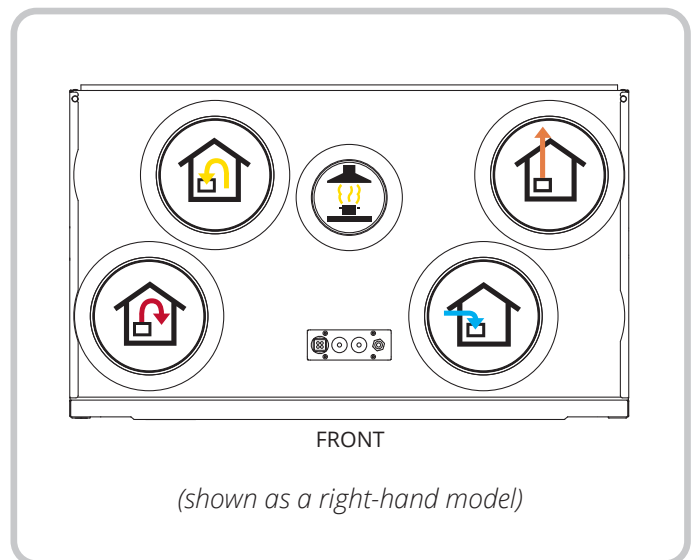
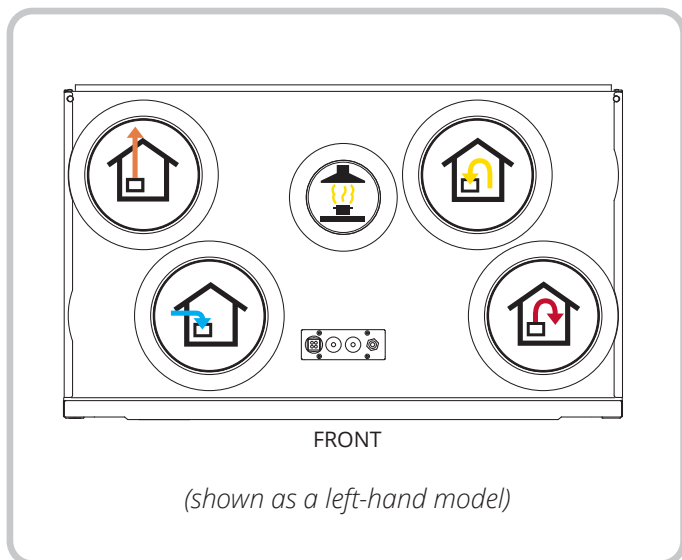


- On a wall
(Mounting supplied with unit.)



- On the floor
Absorption feet must be fitted
(available as an accessory).

Nipple location



For more information on topics including installation, wiring diagrams and accessories,
see www.flexit.com



Flexit participates in the ECP programme for RAHU.
Check ongoing validity of certificate:
www.eurovent-certification.com

The product is listed in the
database for building products
that can be used in Nordic
Swan Ecolabelled buildings.